

CB-E 齿轮泵

CB-E GEAR PUMPS

简介 General Description

CB-E 齿轮泵是一种小排量的液压泵，由一对齿轮轴、轴套、泵体、前盖、后盖等主要部件组成。该齿轮泵具有体积小、重量轻、效率高、噪音低等优点。适用于各种小型的中高压液压系统。

用户需注意：CB-E 齿轮泵有顺时针、逆时针两种转向及后盖进 / 前盖出、泵体进 / 前盖出、泵体进 / 泵体出、后盖进 / 泵体出五种进出油方式。

Small in displacement, the CB-E pump consists of a gear pair supported by two aluminum bearing blocks, a housing, front cover and rear cover. The features of CB-E pump have small dimension, low weight, high mechanical and volumetric efficiency as well as low noise level. It has been widely used in small hydraulic systems of medium/high pressure for a majority of applications.

Notes: The CB-E gear pump has four inlet/outlet positions: rear in/front out, side in / front out, side in / side out, rear in / side out. Both CW and CCW direction pumps are available.



型谱 Order Code

CB-E * * * *

	16MPa	额定压力 Rated pressure	
	0,26 - 1.5 mL/r	排量 Displacement	

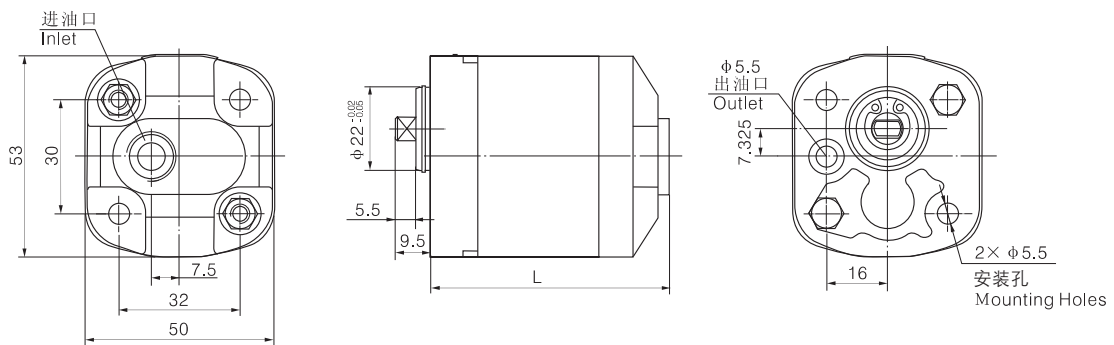
	WK	半圆键 Woodruff Key	
轴端形式 Shaft Option	P	平键 Straight Key	
	空白 Omit	扁势 Tang	

	空白 Omit	右旋 CW	
旋向 Direction	F	左旋 CCW	

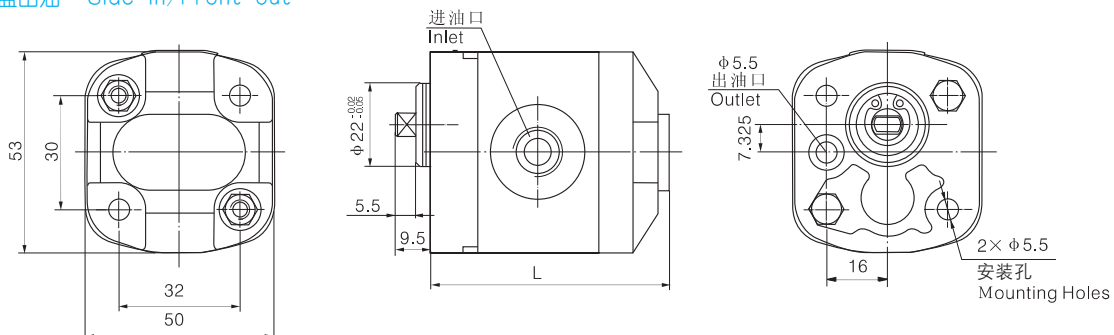
	空白 Omit	后盖 G1/4 进 / 前盖出 Rear in G1/4 / Front out	
F	G	泵体 Z1/8 进 / 泵体 Z1/8 出 Side in Z1/8 / Side out Z1/8	
G	A	后盖 Z1/4 进 / 前盖出 Rear in NPT1/4 / Front out	
K	B	泵体 G1/4 进 / 前盖出 Side in G1/4 / Front out	进油口位置与尺寸 Inlet Position and Size
N	C	泵体 M10 × 1.5 进 / 前盖出 Side in M10 × 1.5 / Front out	
R	D	泵体 G1/4 进 / 泵体 G1/4 出 Side in G1/4 / Side out G1/4	
	E	泵体 M10 × 1 进 / 泵体 M10 × 1 出 Side in M10 × 1 / Side out M10 × 1	

外形尺寸图 Outline Dimension

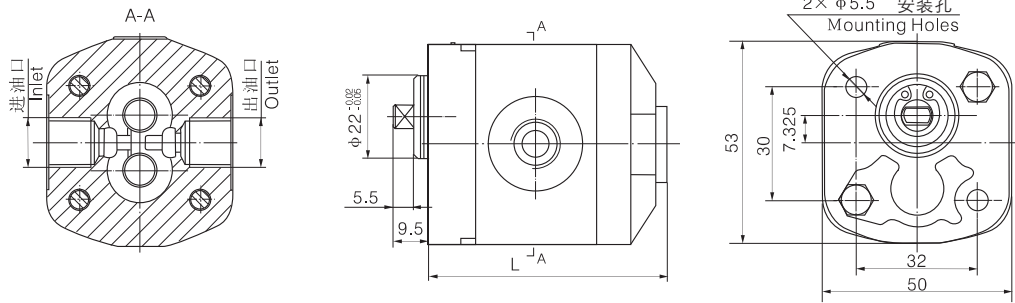
后盖进油 / 前盖出油 Rear in / Front out



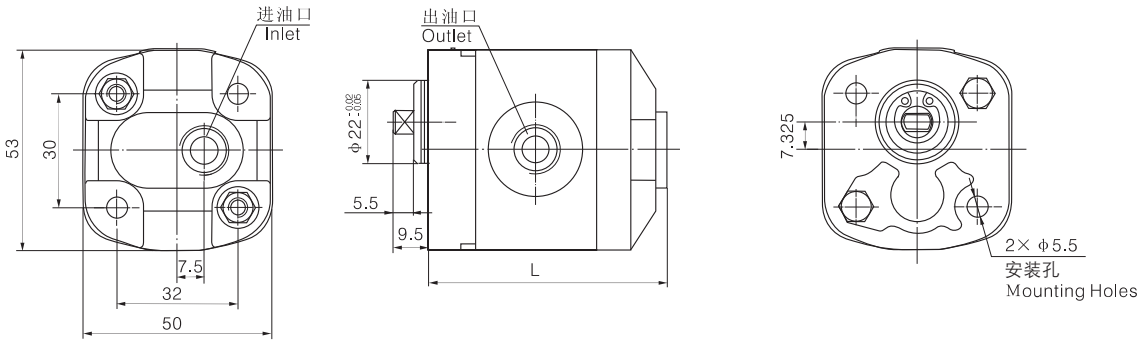
泵体进油 / 前盖出油 Side in / Front out



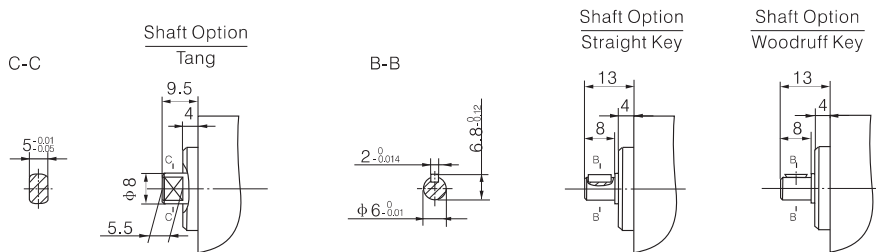
泵体进油 / 泵体出油 Side in/Side out



后盖进油 / 泵体出油 Rear in/Side out



轴端选择 Shaft Option



技术参数 Technical Data

Model 型号	Displacement 排量 mL/r(in ³ /r)	压力 pressure (MPa)			Speed (RPM) 转速	尺寸 Dimension L(mm)	Efficiency 容积效率
		P1	P2	P3			
CB-E0.26 * * *	0.27 (0.0165)	16	18	20	3000	61.2	82%
CB-E0.32 * * *	0.33 (0.0201)					61.7	
CB-E0.38 * * *	0.39 (0.0238)					62.2	
CB-E0.5 * * *	0.49 (0.0299)					63	85%
CB-E0.6 * * *	0.61 (0.037)					64	
CB-E0.63 * * *	0.64 (0.039)					64.2	
CB-E0.75 * * *	0.76 (0.046)					65.2	
CB-E0.88 * * *	0.88 (0.0537)					66.2	86%
CB-E1.00 * * *	1.00 (0.061)					67.2	
CB-E1.25 * * *	1.25 (0.0763)					69.2	
CB-E1.5 * * *	1.54(0.094)	71.5	88%				
CB-E1.9 * * *	1.91(0.1165)	12		14	16	74.5	