

CBS 齿轮泵

CBS GEAR PUMPS

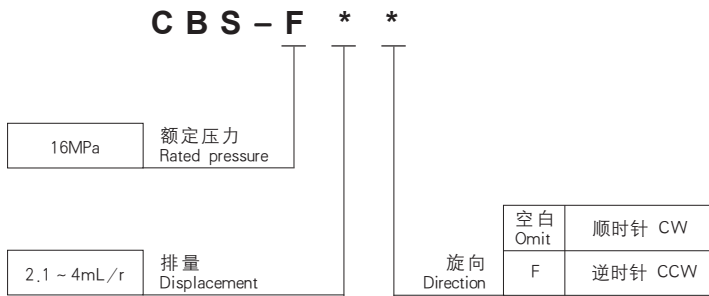
简介 General Description

CBS 齿轮泵是浮动侧板式轴向压力补偿高压齿轮泵，泵内集成了单向阀和溢流阀，具有美国STN安装尺寸和SAE渐开线花键轴伸，与两位两通电磁卸荷阀配合使用，可实现典型的升降液压系统，该泵还可用于各种高压小流量的液压系统中。

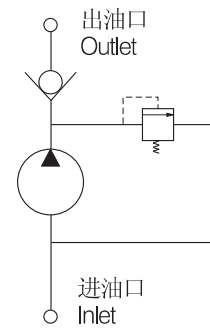
Equipped with a relief valve and a check valve, the CBS pump features small displacement, high pressure, its axial clearance is compensated automatically by the floating side plates. Its STN mounting dimension and SAE spline shaft enable it to enjoy a good market share in the US and European countries. It is easy to get a □power up, gravity down□ circuit by combining a CBS pump with a two-way two-positions release valve.



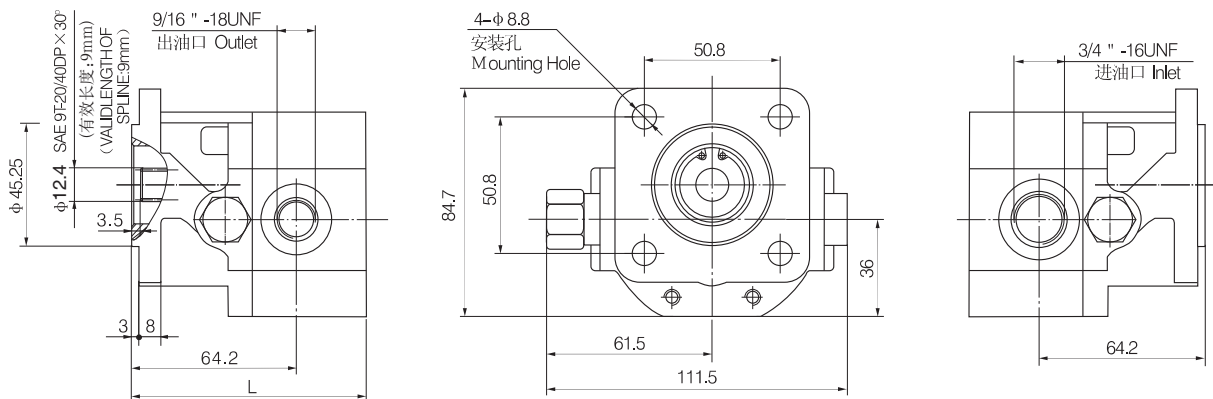
型谱 Order Code



液压原理图 Hydraulic Schematic



外形尺寸图 Outline Dimension



技术参数 Technical Data

Model 型号	Displacement 排量 mL/r (in ³ /r)	Rated Pressure 额定压力(MPa)	Relief Pre 溢流阀开启压力(MPa)	Relief pressure 溢流阀开启压力 (MPa)	转速 (RPM)		L(mm)	Efficiency 容积效率
					Rated 额定	Max 最大		
CBS-F2.1*	2.1 (0.13)	16	21	21	2000	3450	87.2	86%
CBS-F3*	3.18 (0.18)						90.7	
CBS-F3.6*	3.6 (0.22)						92.4	
CBS-F4*	4.2 (0.26)						94.7	