

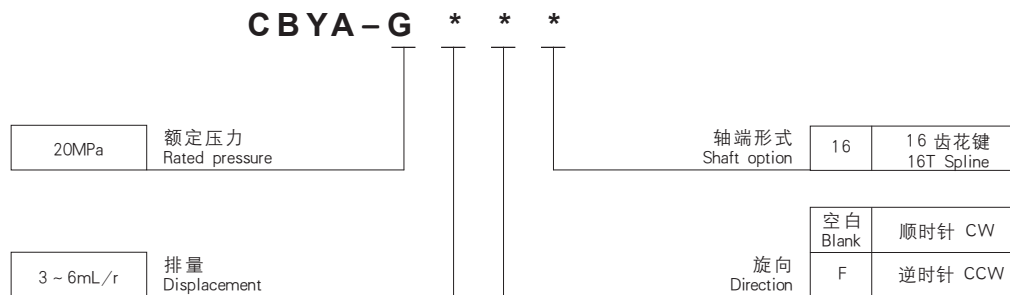
简介 General Description

CBYA 齿轮泵采用高强度齿轮、铝合金泵体和前后盖、低摩擦系数轴套，使该泵具有高机械效率、容积效率和充裕的压力储备。该泵噪音低、重量功率比小，被广泛地应用于跳车、举升机等直流动力单元。

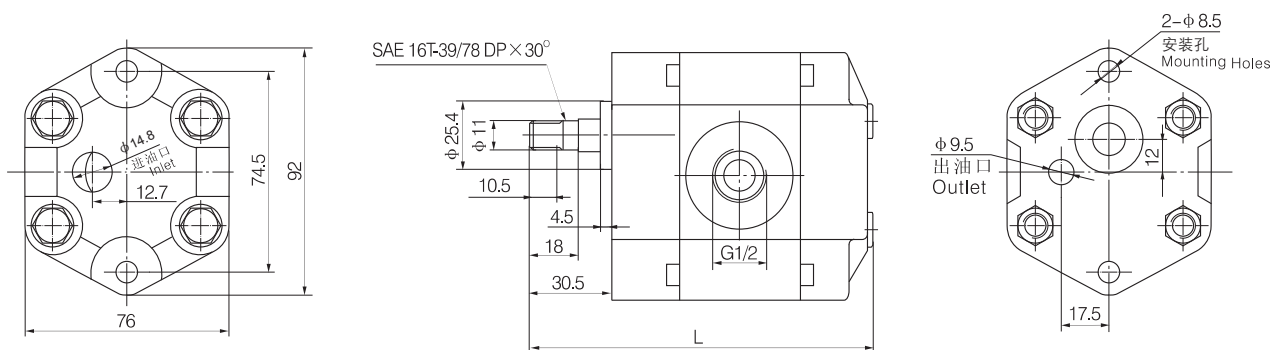
The CBYA gear pump consists of a gear pair supported by two aluminum bearing blocks, a housing, a front cover and a rear cover. The CBYA Series of Gear Pump features high mechanical and volumetric efficiency, low noise level as well as low weigh/power ratio. It is widely used in the DC power units for car jumping and lifting machines.



型谱 Order Code



外形尺寸图 Outline Dimension



技术参数 Technical Data

Model 型号	Displacement 排量 mL/r (in ³ /r)	压力 pressure (MPa)			转速 Speed (RPM)		L(mm)	Efficiency 容积效率
		P1	P2	P3	Rated 额定	Max 最大		
CBYA-G3 * *	3.57 (0.218)	20	25	31.5	2000	4000	132	90%
CBYA-G5 * *	4.64 (0.283)						135	
CBYA-G6 * *	5.71 (0.348)						138	