

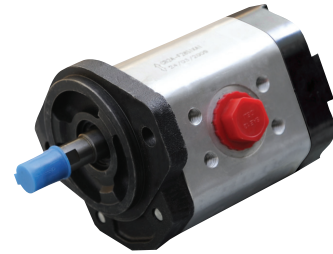
CB2A 双向齿轮泵

GROUP2 BI-DIRECTIONAL PUMPS

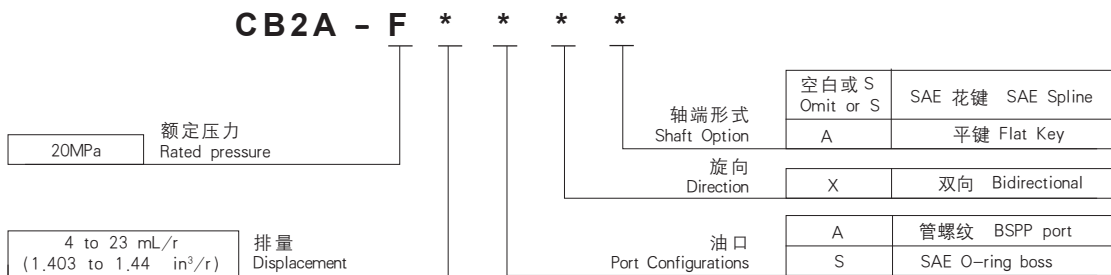
简介 General Description

CB2A 双向齿轮泵包含一对齿轮，一对轴套，一对前后盖以及泵体，该泵可通过轴套的浮动补偿来缩小轴向间隙，该泵的简单的结构，极高的机械效率、容积效率、可靠性，较低的噪音以及很高的单位质量能量输出，CB2A 双向齿轮泵适用于中小型的闭式液压回路，执行元件的换向通过改变油泵的转向来实现，不需要采用换向阀。

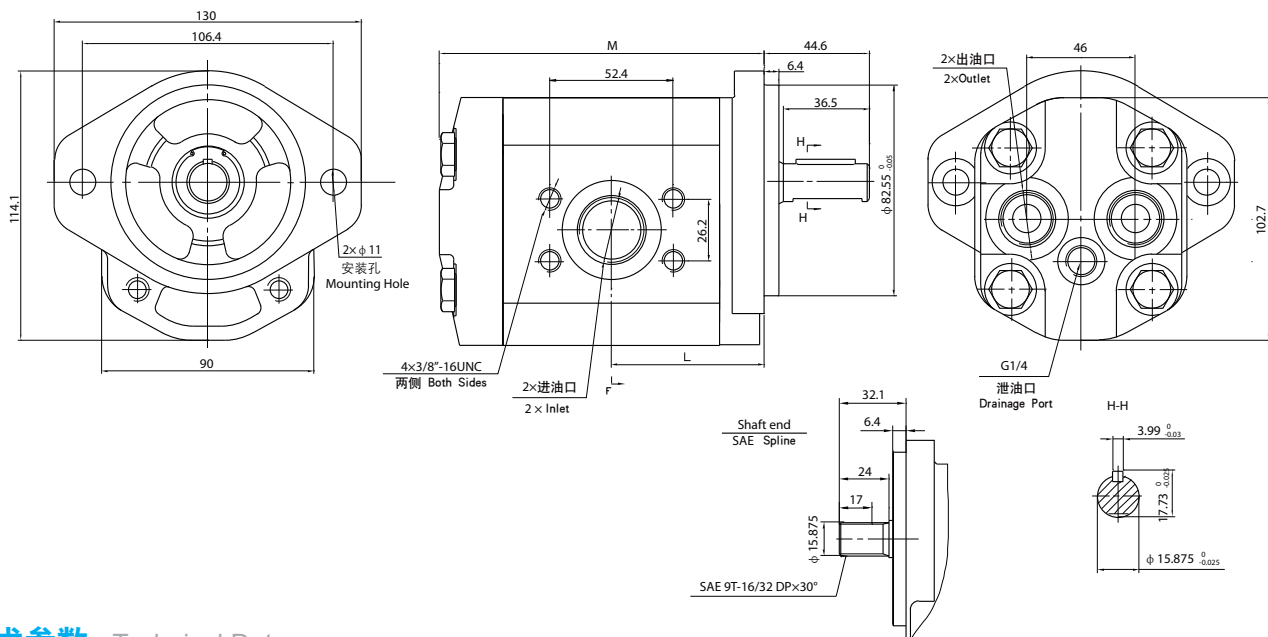
The CB2A Bi-directional gear pump consists of a gear pair supported by two aluminum bearing blocks, a housing, front cover and rear cover. The axial clearance can be automatically compensated by the bearing blocks. The CB2A pump features a simple structure, high mechanical and volumetric efficiency, low noise, high reliability, as well as low weight/power ratio. The pump can work in both cw and ccw directions. It is suitable for bidirectional hydraulic systems.



型谱 Order Code



外形尺寸图 Outline Dimension



技术参数 Technical Data

Model 型号	Displacement 排量 mL/r (in ³ /r)	压力 Pressure			转速 Speed		尺寸 Dimension			
		P1 MPa	P2 MPa	P3 MPa	额定转速 Rated rpm	最高转速 Max rpm	L mm	M mm	进油口 Inlet	出油口 Outlet
CB2A-F4*X*	4.47 (0.2728)	20	25	28	2000	4000	45.6	102.5	SAE port 1 1/8"-12UN	SAE port 7/8"-14UN
CB2A-F6*X*	6.37 (0.3887)						47	105.5		
CB2A-F7*X*	7.01 (0.4278)						47.6	106.5		
CB2A-F9*X*	9.57 (0.5840)						49.6	109.4		
CB2A-F11*X*	11.49 (0.7012)						51.1	113.5		
CB2A-F14*X*	14.04 (0.8568)						53.1	117.5		
CB2A-F15*X*	15.94 (0.9727)						1500	2800	2500	54.6
CB2A-F17*X*	17.76 (1.0900)	56.1	123.5							
CB2A-F21*X*	21.06 (1.2852)	58.6	128.5							
CB2A-F23*X*	23.61 (1.4408)	60.6	132.5							