

LVA 型劈木机阀

LVA LOG SPLITTER CONTROL VALVE



简介 General Description

LVA 型劈木机阀是通过手柄的动作使阀芯做轴向移动从而对油路进行切换的直动式换向滑阀。此劈木机阀自带过载保护阀，结构紧凑，控制灵活，使用可靠，专用于劈木机的油路控制，能使劈木机快速、平稳工作。

The LVA log splitter valve consists of a manually-operated 3 positions spool, a built-in relief valve and detent device with the spring centered function in one direction and pressure released detent function in the other direction. The detent device allows the spool automatically kick back to neutral position when cylinder completes stroke. The operating handle can be installed in up or down position upon request.

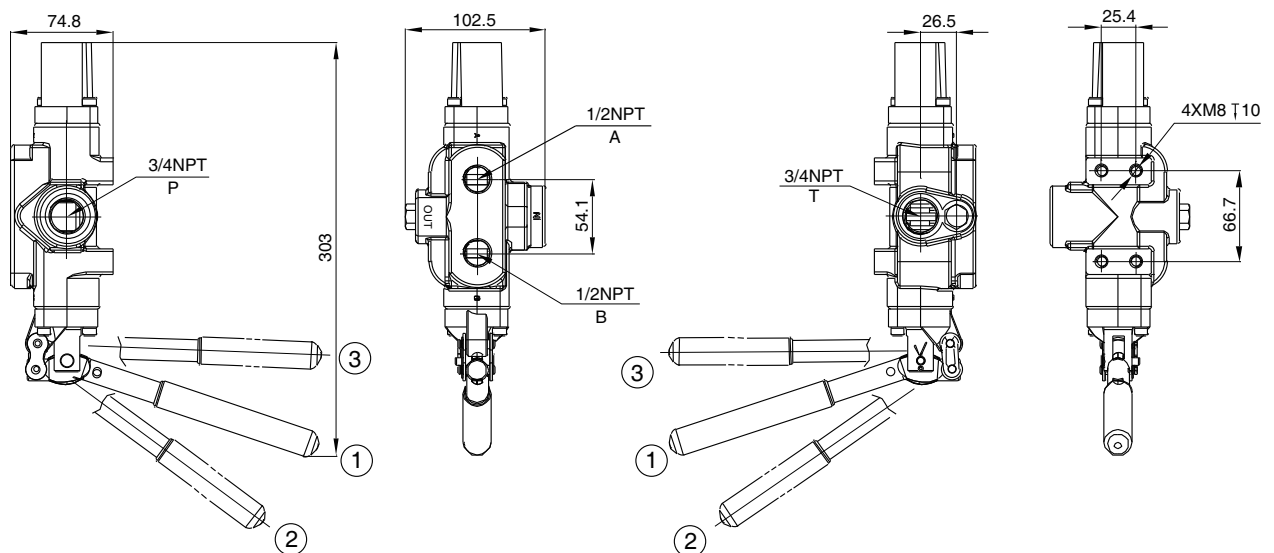


型号说明 Ordering Code

LVA - 9 5 N 2 1 A 7

Log splitter valve 商品名称 Product name		
由生产厂确定 Determined by manufacturer	结构代号 Structure number	
95L/min 最大工作流量 Max:flow rate		
复位压力 Detent pressure	9	9MPa
	8	8MPa
	7	7MPa
	6	6MPa
设计序号 Design number	由生产厂确定 Determined by manufacturer	
安全阀压力 Relief valve pressure	21	21MPa
	19	19MPa
	17	17MPa
油口尺寸 Ports configuration	G	P&T:3/4BSP A&B:1/2BSP
	N	P&T:3/4NPT A&B:1/2NPT

外形尺寸图 Outline Dimension



机能符号图 Function Symbol

